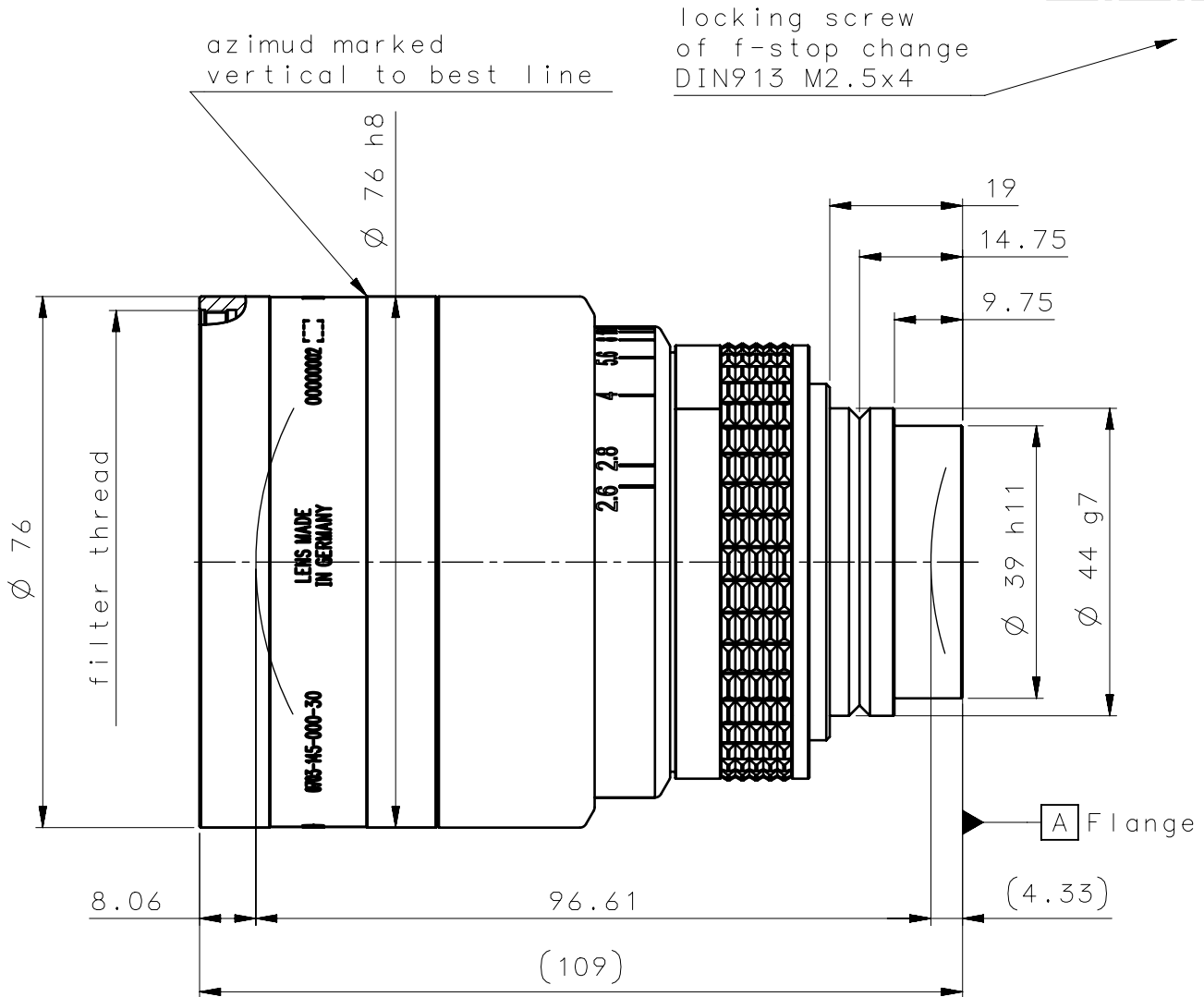


order number	lens name
0703-145-000-30	d.fine HR-M 2.6/50 0.063x

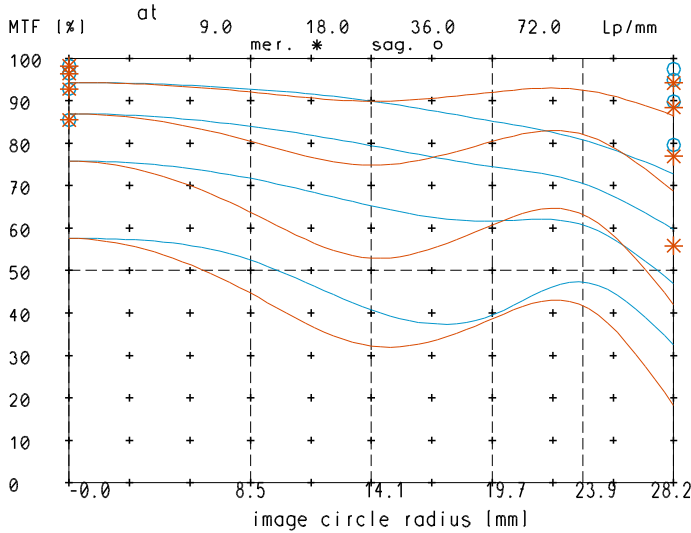


Specification		ON	7608-9411
image circle max. (mm)	56.8	working distance (mm)	500 - 2000
focal length f' (mm)	50.4	interface	V-groove \varnothing 44
magnification β' [range]	-0.063 [-0.025 ... -0.1]	filter thread	M72 x0.75
spectral range λ (nm)	400 - 750	weight (g)	800
		design includes CCD cover glass:	yes 0.76mm D263
		SF (mm)	1.2
		S'F' (mm) *	41.0
		HH' (mm) *	35.7
		SH (mm)	51.5
		S'H' (mm) *	-9.4
		SEnP (mm)	45.8
		S'Exp (mm) *	-15.9
		f-stop	2.6
		\varnothing EnP	18.9
		\varnothing Exp	21.3

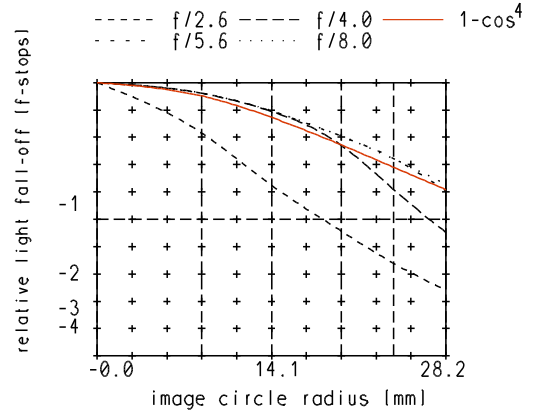
NX PROTECTIVE NOTE "DIN ISO 16016" TO BE OBSERVED	EU-D	AL-T1A	US-D	US-ML	not export controlled
	REV	ECC	DATE	APPROVED	PDM Status in Arbeit
	a	Neuausg	08.08.22	Georgiev	-
	GENERAL TOLERANCE OF DIMENSION, FORM, POS. BASIC TOLERANCING PRINCIPLE ISO 8015				SCALE 1:1
FIRST ISSUE DATE 08.08.22 NAME Georgiev				MATERIAL TITLE d.fine HR-M 2.6/50 0.063x	
CHKD XX.08.22 NAME Stauder				DRAWING NO. 0703-145-100-30-0001a	
DIN A 4 ALL DIMENSIONS ARE IN MM AND INCLUDE SURFACE TREATMENT				SHEET 1 OF 1	
				REPLACES	

d.fine_HR-M_2.6_50_mag=-0.06

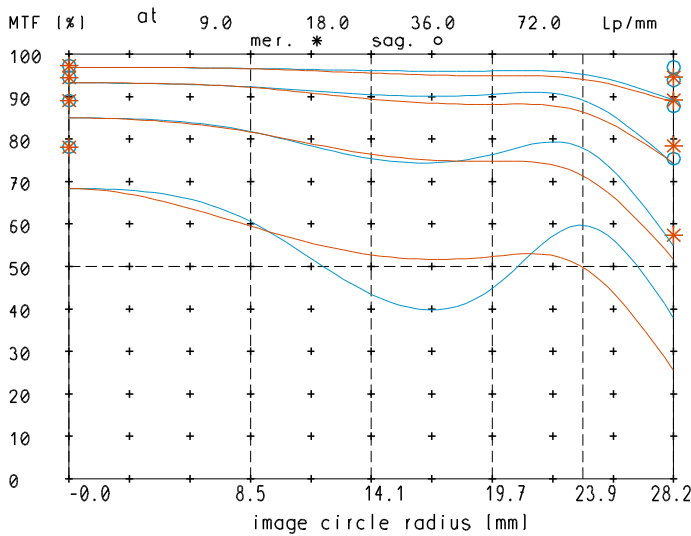
MTF at ratio 0.06x f/ 2.6



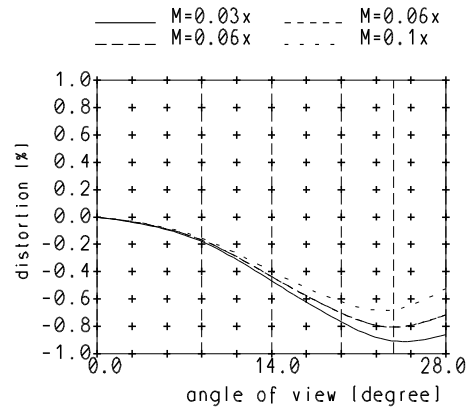
relative light fall-off at ratio 0.06x



MTF at ratio 0.06x f/ 4

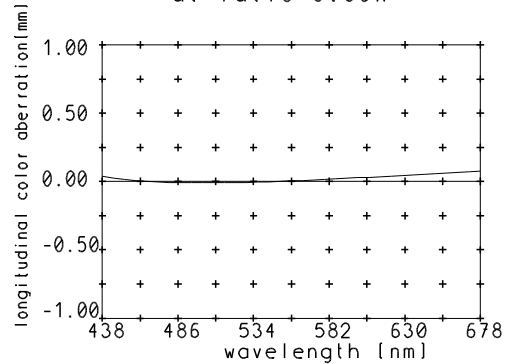


Distortion at ratio 0.03x to 0.1x



— sagittal, ○ Diffraction limited value
 — meridional * Diffraction limited value

Longitudinal color aberration at ratio 0.06x



Named frequencies (line pairs/mm) in modular transfer function (MTF) as well as diagrams of relative light fall-off, distortion and longitudinal color aberration refer to film plane.