

OmniCure CV300

Benchtop Conveyor System



Complementary to the OmniCure® AC Series high power UV LED area curing systems, and is suitable for production, laboratory, and research and development applications

Versatile system designed to handle substrates up to 310 mm (12.2") wide with an effective curing area of up to 300 mm (12")

Flexible mounting mechanism to support use of a single or multiple curing systems

Adjustable platform height to accommodate a variety of parts and working distances



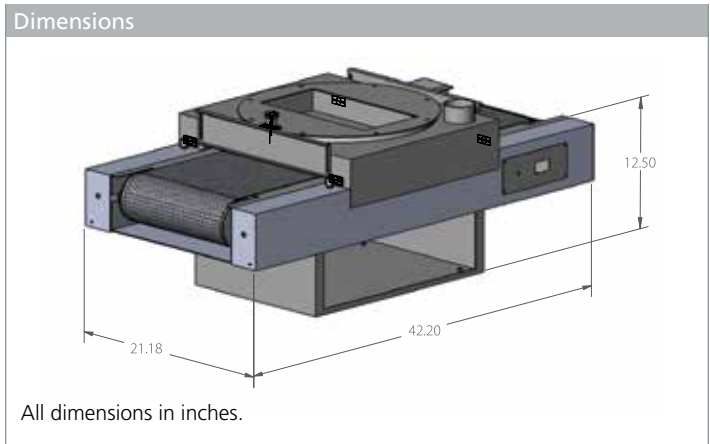
A Versatile Conveyor Solution With Multiple Configurations Available

The OmniCure® CV300 is designed to be a complementary accessory for the OmniCure AC Series UV curing solutions, and supports the entire product family. It is a versatile solution that allows customers to quickly integrate UV LED curing systems into a conveyor platform. The unique mounting design of the OmniCure CV300 conveyor allows for multiple configurations of the OmniCure AC Series high power UV LED area curing systems to be integrated. The LED systems can be positioned perpendicular to the conveyor belt's direction of travel or in 15 degree steps towards a parallel orientation.

Orienting the LED systems perpendicular to the direction of travel will maximize the curing width. Orienting the LED heads parallel to the direction of travel will maximize the curing dose. Go to www.excelitas.com/omnicure/ac-series/cv300 for more information on available system configurations and the potential dose for each orientation of the mounting head.

TECHNICAL SPECIFICATIONS

OmniCure CV300	
Overall Dimensions (LxWxH)	1070 mm (42.2") x 540 mm (21.2") x 440 mm (17.3")
Belt Width	305 mm (12") open mesh Teflon® coated fiberglass
Clearance	385 mm
Belt Speed	1 m/min to 14.5 m/min (3 ft/min to 48 ft/min)
Height Adjustment	30 mm to 60 mm in 10 mm increments
Head Angle Adjustment	0 to 90 degrees relative to belt travel direction in 15-degree increments
Weight	34 kg (74 lbs)
Electrical	100-240 V AC, 50/60 Hz, single phase
Controls	Power on, Speed adjust, LED on



Disclaimer: A 300mm wide AC Series system, such as the AC7300, AC8300 and AC9300, will fit into the conveyor. However, smaller sized AC Series systems may require an extra adaptor and mounting hardware to ensure that the unit will fit correctly into the conveyor and provide sufficient protection from the stray light. This bracket can be ordered via our Special Request form or produced by the customer.

To learn more about OmniCure UV curing solutions, please visit www.excelitas.com/omnicure.

EXCELITAS
TECHNOLOGIES®

www.excelitas.com
omnicure@excelitas.com

2260 Argentia Road
Mississauga, Ontario
L5N 6H7 CANADA

Telephone: +1 905 821-2600
Toll Free (USA and CAN): +1 800 668-8752
Fax: +1 905 821-2055