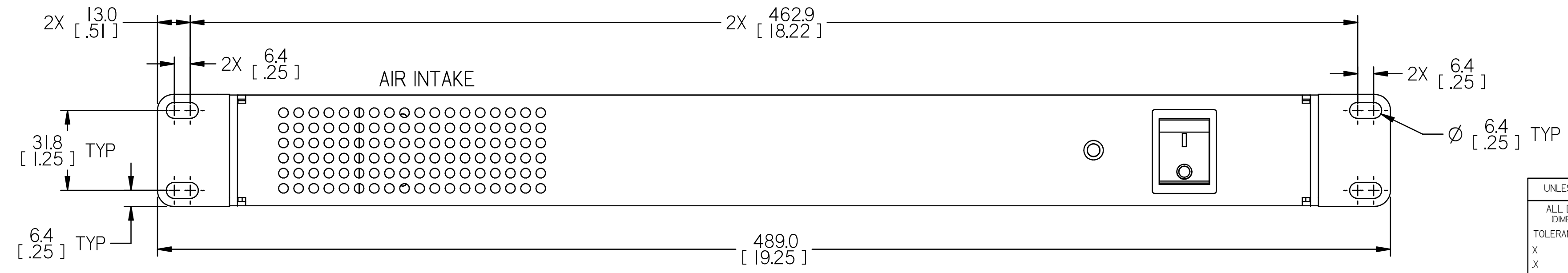
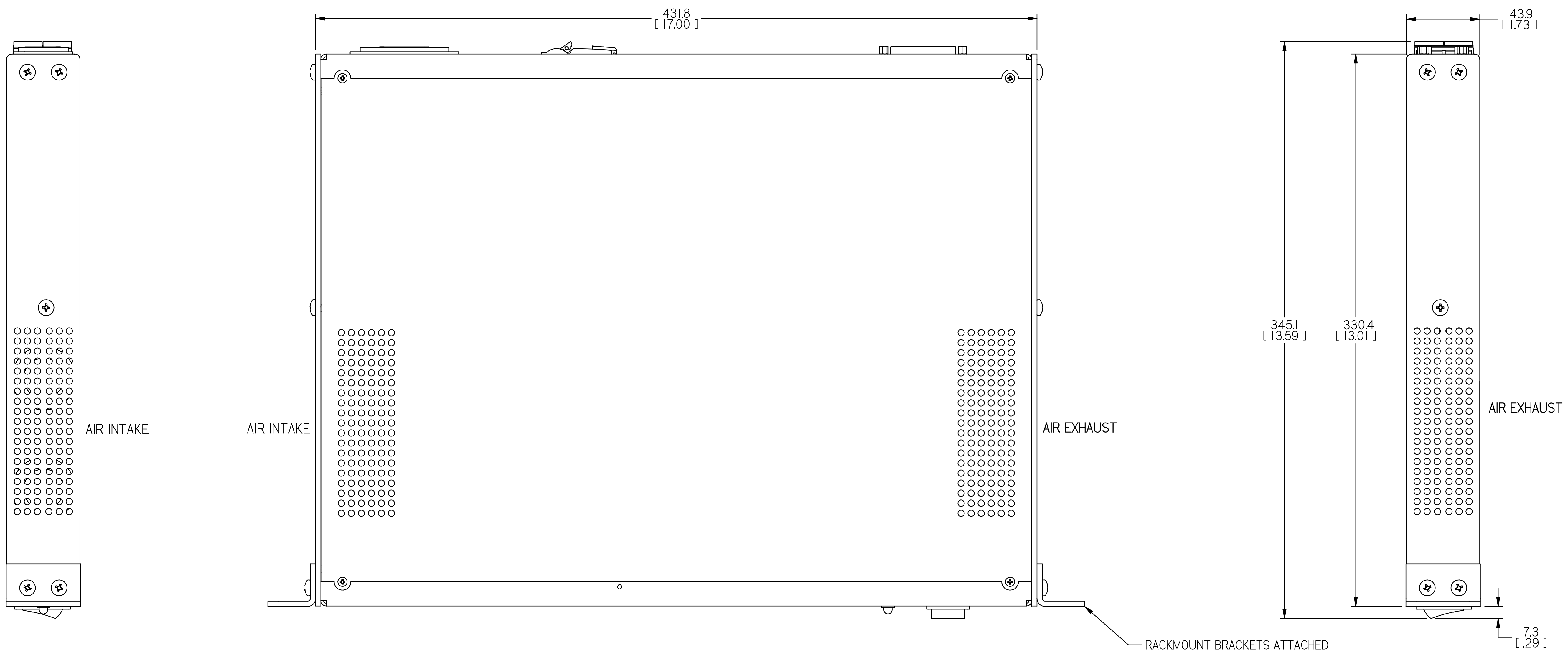
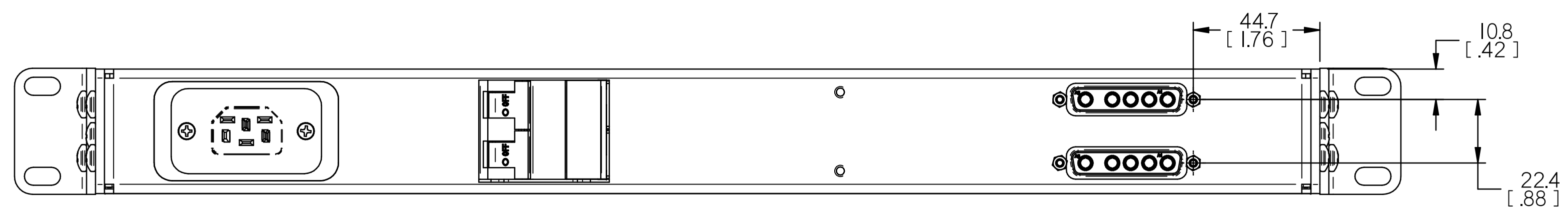


ALL RIGHTS STRICTLY RESERVED. REPRODUCTION OR ISSUE TO THIRD PARTIES IN ANY FORM WHATSOEVER IS NOT PERMITTED WITHOUT WRITTEN AUTHORITY FROM PROPRIETOR

REV	DESCRIPTION	DATE
0	INITIAL RELEASE	02/24/2016



UNLESS OTHERWISE SPECIFIED  
ALL DIMENSIONS ARE IN mm.  
(DIMENSIONS IN ( ) ARE INCHES)

TOLERANCES ON:  
X ± 1  
X ± 0.1  
XX ± 0.05  
ANGLES ± 5° ✓  
HOLE DIA. ± 0.05

SIGNATURES	DATE
DRAWN P. DRENNAN	02/23/2016
ENG. P. DRENNAN	02/23/2016
CHECKED P. CONSTANTINO	02/24/2016
APPR. M. KAY	02/24/2016

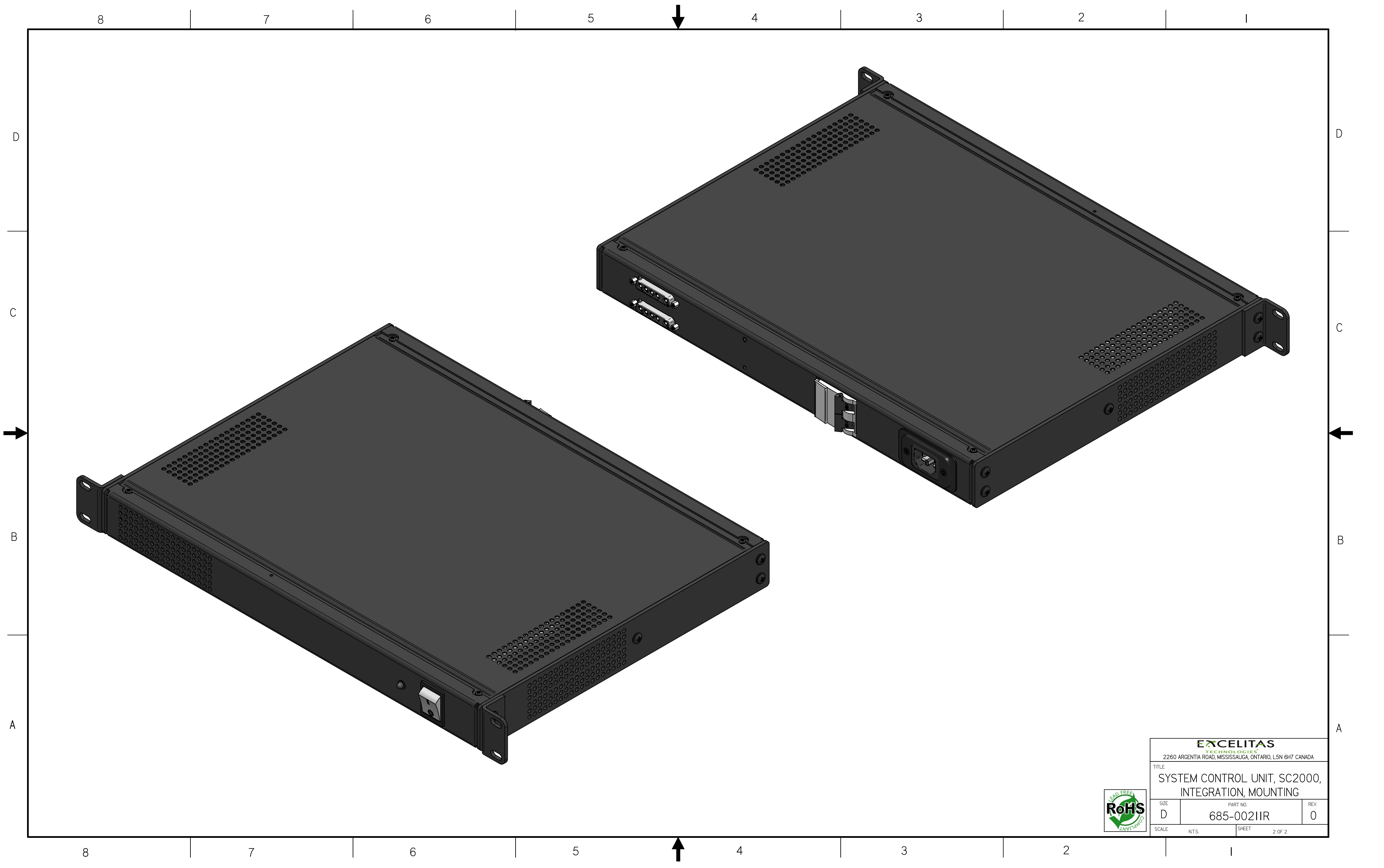
MATERIAL	N/A
FINISH	

**EXCELITAS TECHNOLOGIES**  
2260 ARGENTIA ROAD, MISSISSAUGA, ONTARIO, L5N 6H7 CANADA

TITLE: **SYSTEM CONTROL UNIT, SC2000, INTEGRATION, MOUNTING**

SIZE	D	PART NO.	865-00211R	REV.	0
SCALE	NTS.	SHEET	1 OF 1		





<b>EXCELITAS</b> TECHNOLOGIES 2260 ARGENTIA ROAD, MISSISSAUGA, ONTARIO, L5N 6H7 CANADA		
TITLE SYSTEM CONTROL UNIT, SC2000, INTEGRATION, MOUNTING		
SIZE D	PART NO. 685-00211R	REV. 0
SCALE NTS.	SHEET 2 OF 2	

