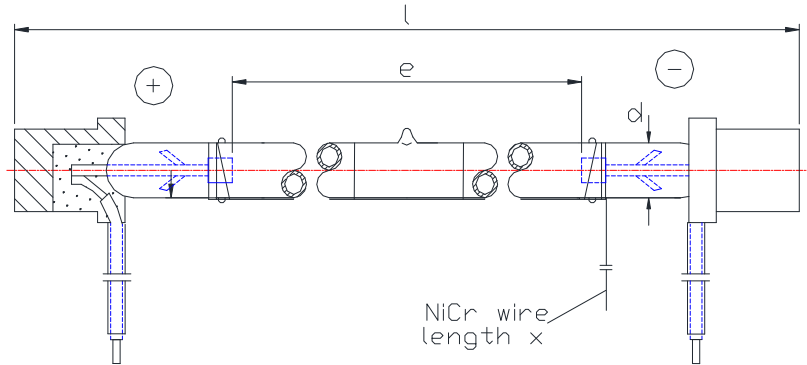


DG 8901-1
Stroboscopic, Linear, 750 Watt, Quartz



Dimensional Specifications (mm)

Arc Length (e)	Glass Body Length (g)	Overall Length (l)	Glass Diameter (d)	Radius (r)	Pin Distance (a)	Trigger length (x)
158	-	238	10 dia	-	-	120

Notes: 1) Envelope material: Q2. 2) lamps are Rohs compliant

Operating Specifications:

Max. Power P_{max}/W	750	Trigger coil TR	ZS1052
Nom. Power P_{nom} / W		Trigger capacitor $C_z/\mu F$	0.22
Max. flashenergy E_{max}/Ws	50	Min. trigger voltage $U_z \text{ min}/V$	250
Nom. flashenergy E_{nom}/Ws	25	Trigger contact S	SCR
Max. anode voltage U_{amax}/V	700	Flash frequency/Hz	2 - 14
Nom. anode voltage U_{anom}/V	500	Life/Number of flashes/N	500 hrs
Min. anode voltage U_{amin}/V	360	Repetition rate t_{rep}/s	
Nom. flash capacitor $C_B/\mu F$	200	Sec trigger voltage $U_z \text{ sec} / KV$	-ve
Light reduction after life/ %		Unloaded	

For a complete listing of our global offices, visit www.excelitas.com/locations

© 2021 Excelitas Technologies Corp. All rights reserved. The Excelitas logo and design are registered trademarks of Excelitas Technologies Corp. All other trademarks not owned by Excelitas Technologies or its subsidiaries that are depicted herein are the property of their respective owners. Excelitas reserves the right to change this document at any time without notice and disclaims liability for editorial, pictorial or typographical errors.