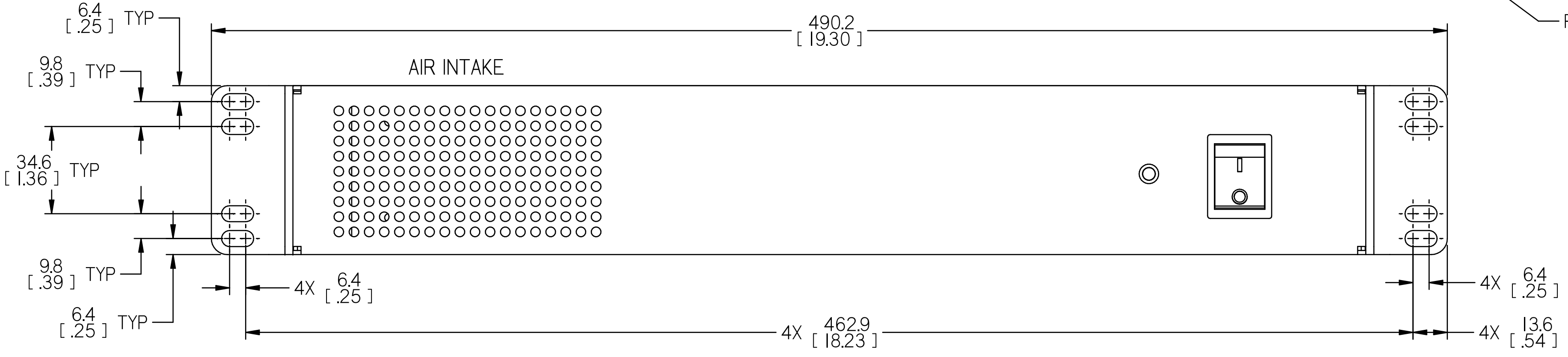
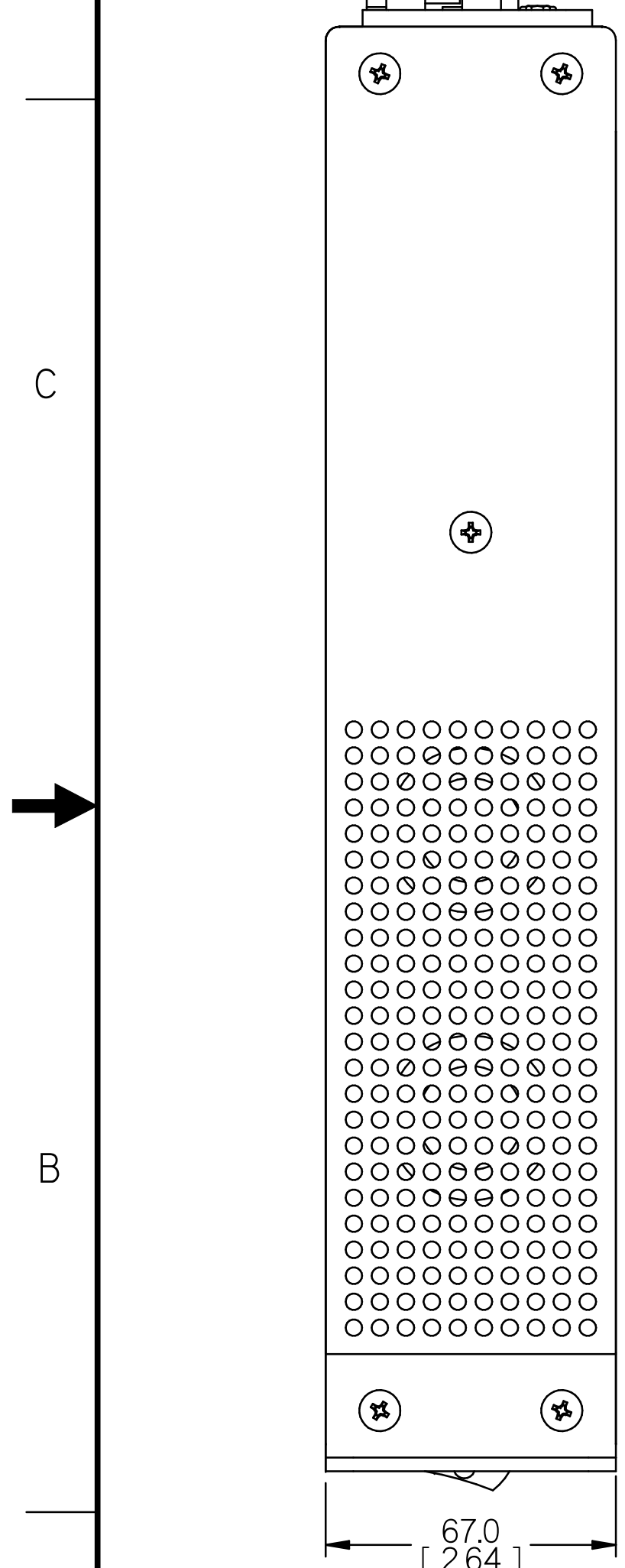
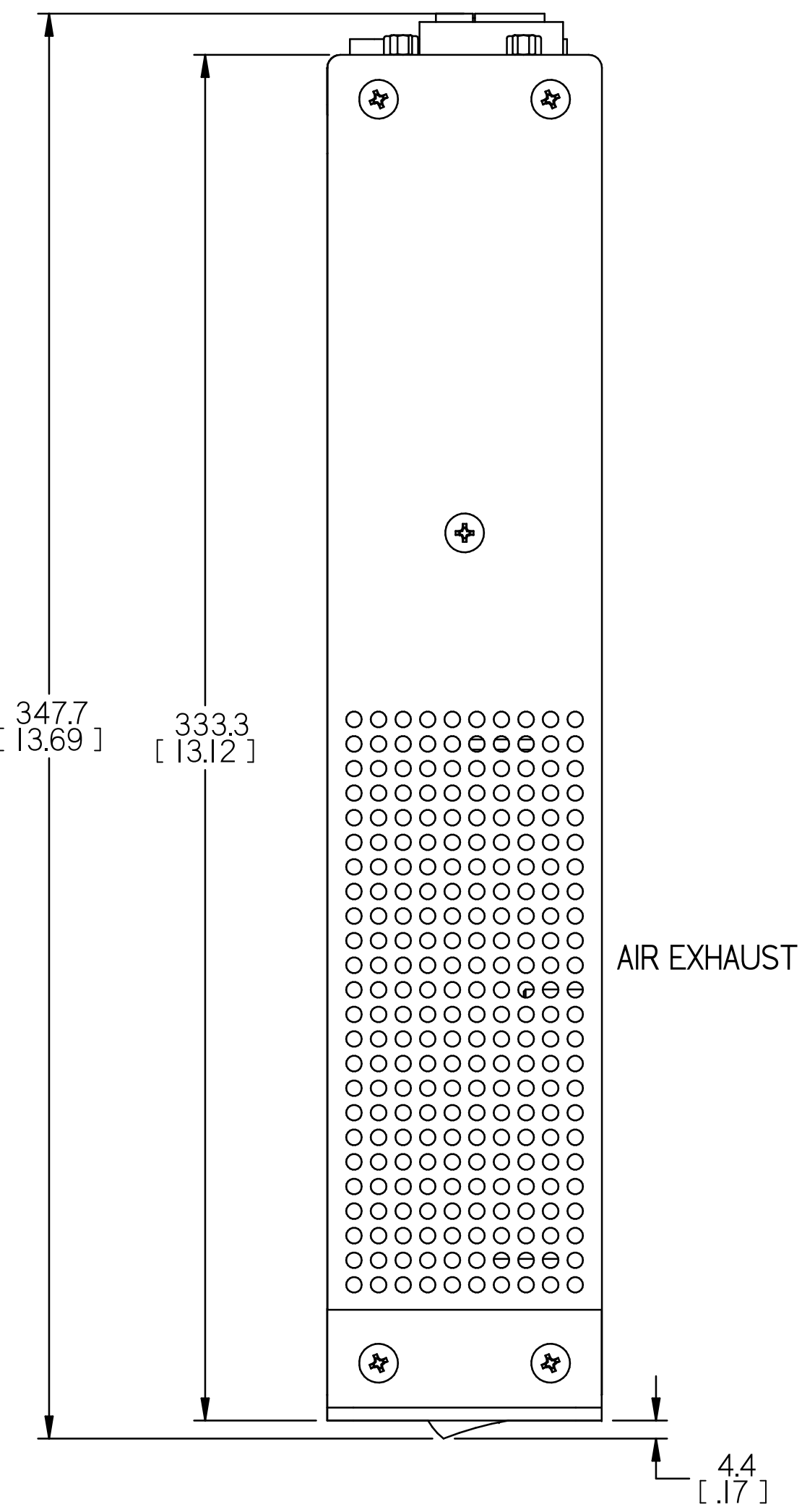
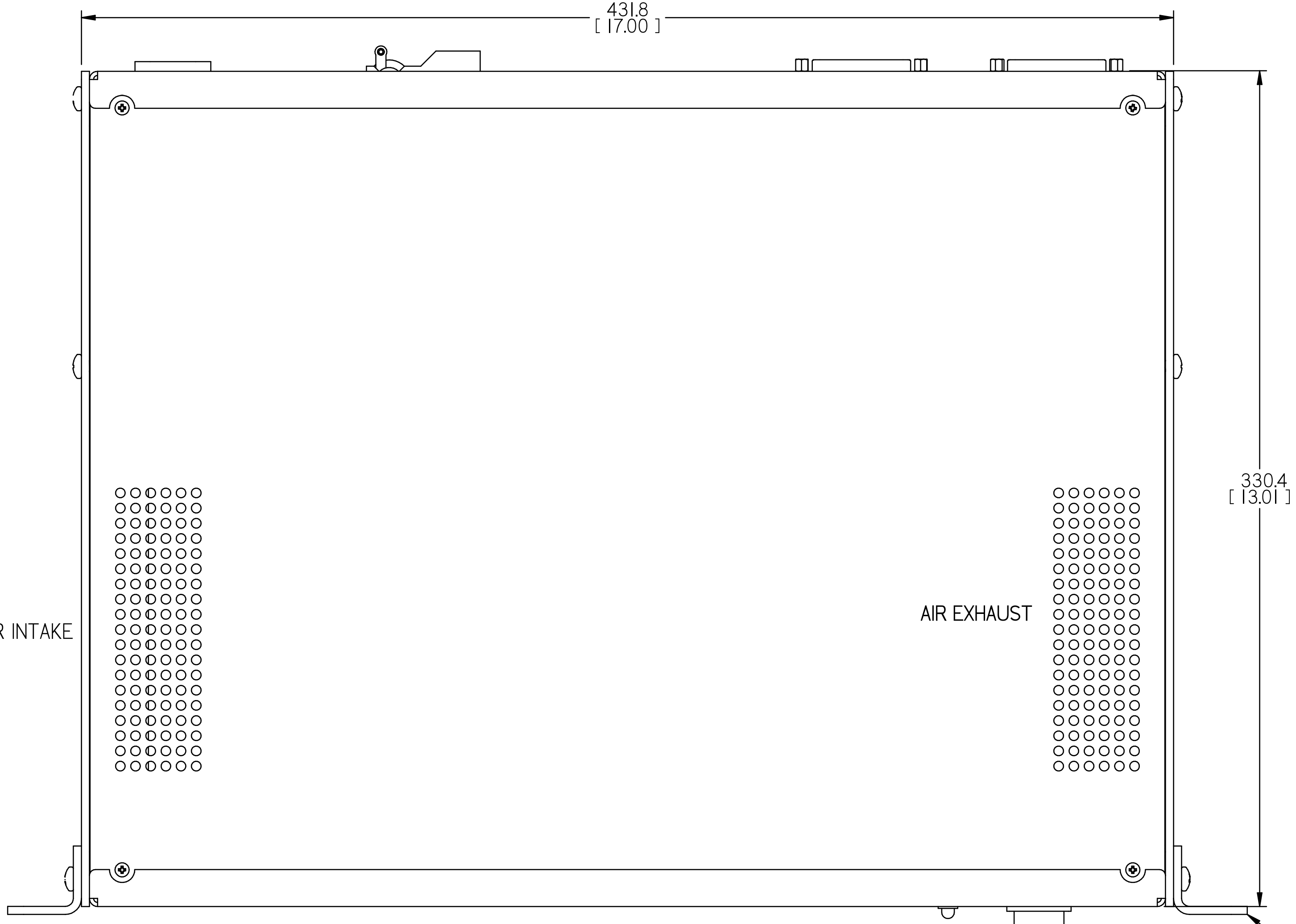
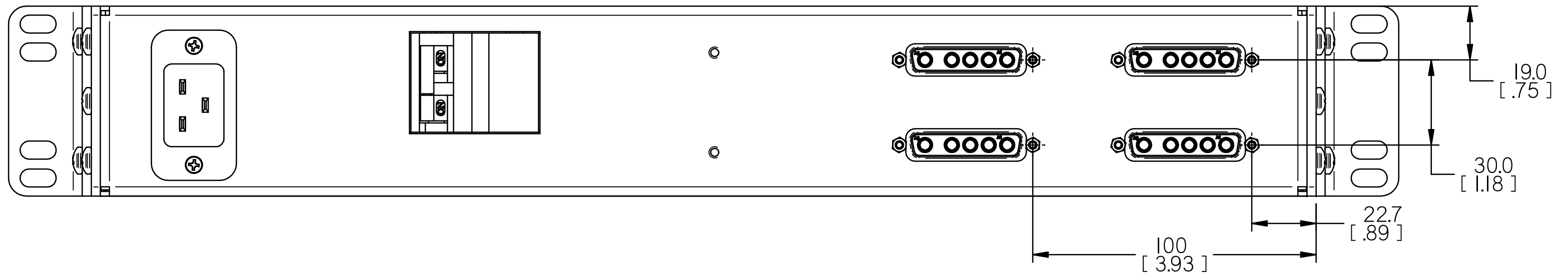


ALL RIGHTS STRICTLY RESERVED. REPRODUCTION OR ISSUE TO THIRD PARTIES IN ANY FORM WHATSOEVER IS NOT PERMITTED WITHOUT WRITTEN AUTHORITY FROM PROPRIETOR		
REV	DESCRIPTION	DATE
0	INITIAL RELEASE	02/24/2016

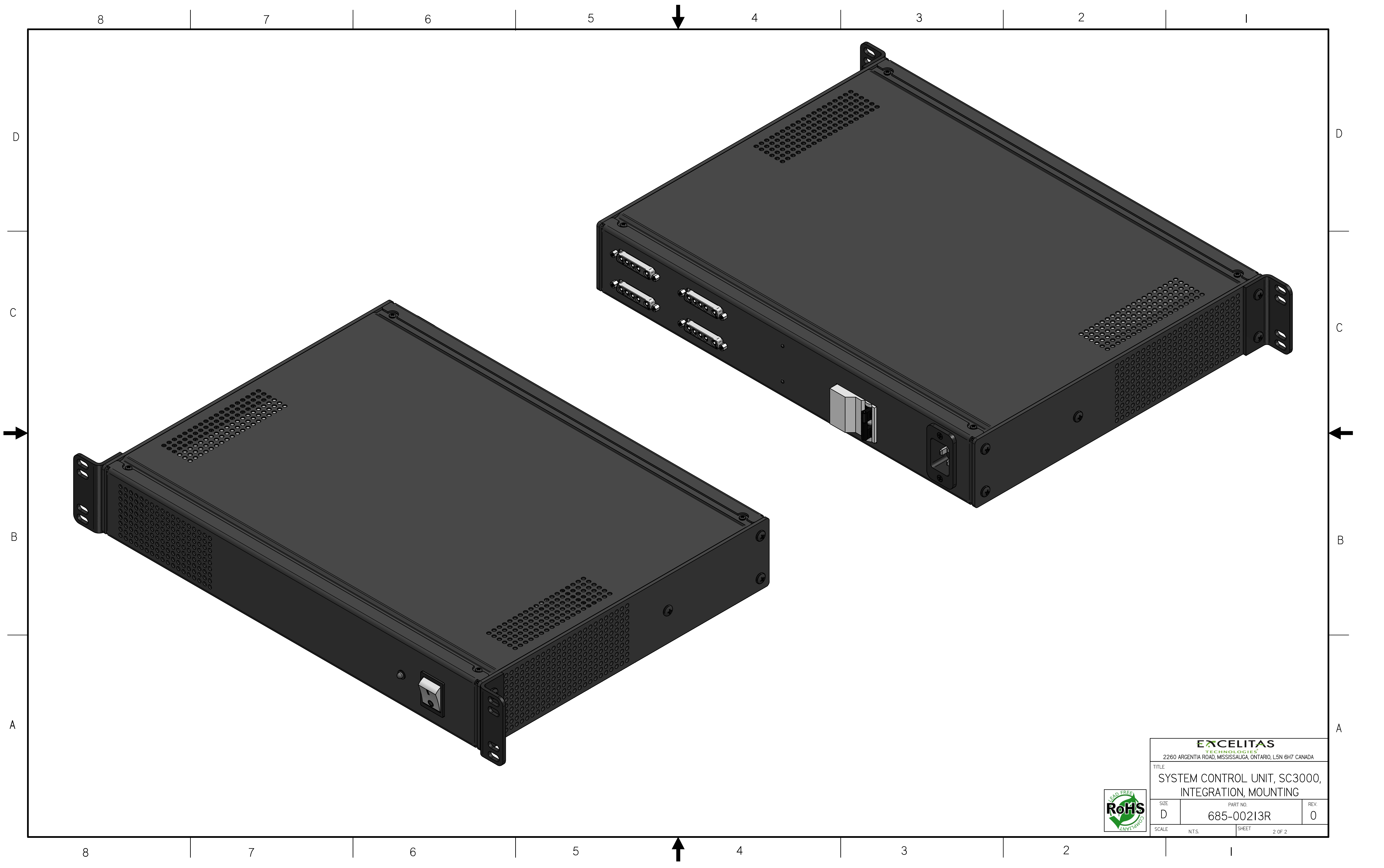


RACKMOUNT BRACKETS ATTACHED

UNLESS OTHERWISE SPECIFIED	SIGNATURES	DATE
ALL DIMENSIONS ARE IN mm. (DIMENSIONS IN ( ) ARE INCHES)	DRAWN P. DRENNAN	02/23/2016
TOLERANCES ON:	ENG. P. DRENNAN	02/23/2016
X ± 1	CHECKED P. CONSTANTINO	02/24/2016
X ± 0.1	APPR. M. KAY	02/24/2016
XX ± 0.05		
ANGLES ± 5° ✓		
HOLE DIA. ± 0.05		
	MATERIAL N/A	
	FINISH	

2260 ARGENTIA ROAD, MISSISSAUGA, ONTARIO, L5N 6H7 CANADA		
TITLE SYSTEM CONTROL UNIT, SC3000, INTEGRATION, MOUNTING		
SIZE D	PART NO. 685-00213R	REV. 0
SCALE NTS.	SHEET 1 OF 1	





<b>EXCELITAS</b> TECHNOLOGIES 2260 ARGENTIA ROAD, MISSISSAUGA, ONTARIO, L5N 6H7 CANADA		
TITLE SYSTEM CONTROL UNIT, SC3000, INTEGRATION, MOUNTING		
SIZE D	PART NO. 685-00213R	REV. 0
SCALE NTS.	SHEET 2 OF 2	

