

TECHNICAL DATA
39784
POWER SUPPLY, HENE, 2.5-3.2 KV SPECIFICATION

Input:

Input Voltage	100-130 VAC
	200-260 VAC
Input Frequency	50-400Hz

HV Output:

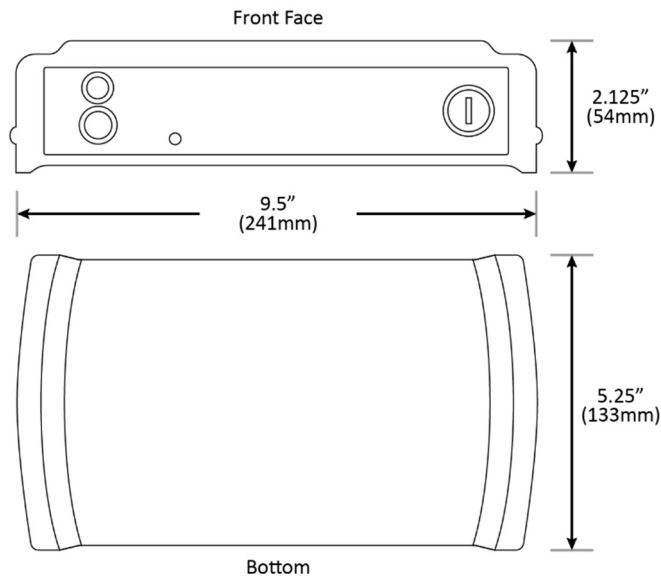
Voltage	2500-3200 V
Starting Voltage	>12.5KV DC
Current	5.25 mA
Current Regulation	±.05mA
Maximum Power Out	40W
Minimum Power Out	20W

Environmental:

Temperature	-20° to +50°
-------------	--------------

SCHEMATIC & DIMENSIONS

Noted in Inches/Millimeters



5505 Airport Boulevard Boulder, Colorado 80301

Phone - (303) 938-1960 Fax - (303) 447-3279