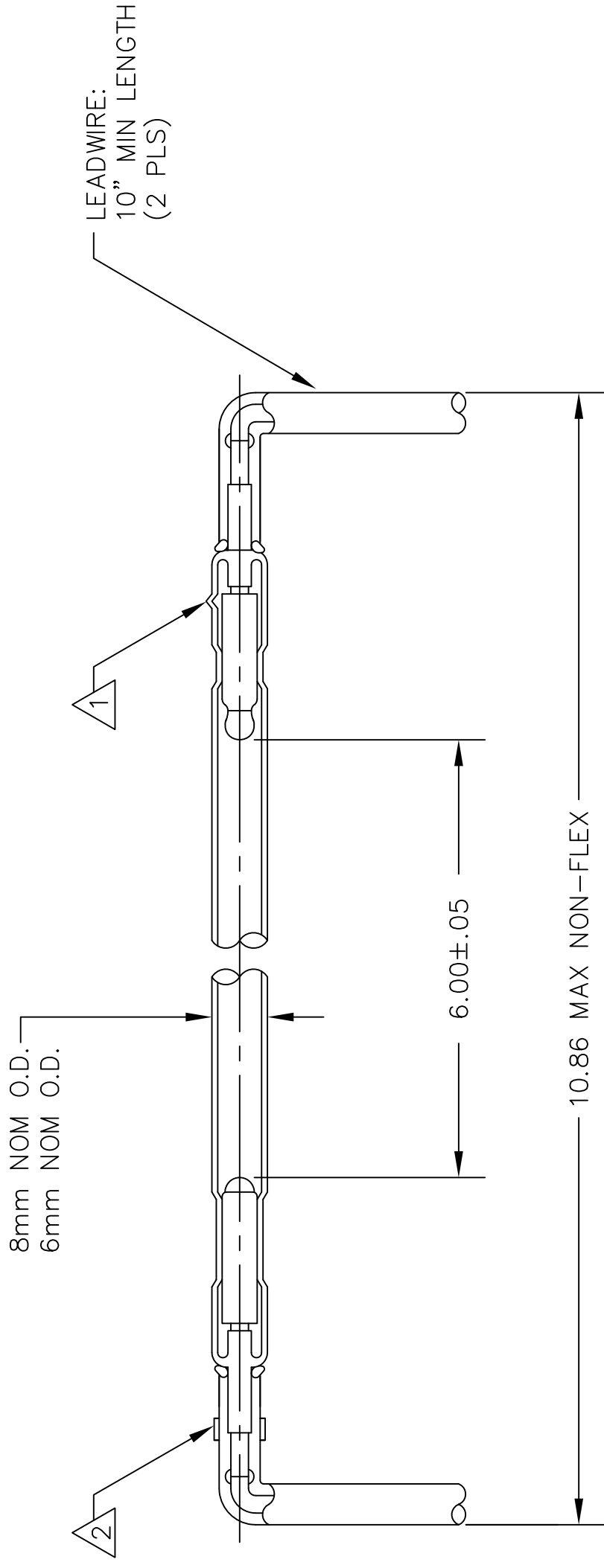


This document contains confidential and proprietary information of Excelitas Technologies. The contents shall not be disclosed, reproduced, duplicated, disseminated or used for purposes other than authorized in writing by Excelitas Technologies.

NOTES:

- 1 TIP-OFF HEIGHT: .02 MAX, LOCATED ON CATHODE END.
- 2 RED HEATSHRINK TUBING IS ON ANODE END.
3. QUARTZ: UV GRADE NATURAL FUSED SILICA.

UNCONTROLLED COPY



REVISIONS				
ZONE	REV.	DESCRIPTION	DATE	APPROVED
	A	REL/ECN 168355	04/28/06	D. COLLINS
	B	REV/ECN 173766	07/26/13	M.WESTFALL

**INTERFACE CONTROL DRAWING**

<p><b>EXCELITAS TECHNOLOGIES</b> 44370 Christy Street Fremont, CA 94538</p>		<p><b>XENON FLASHLAMP</b></p>	
<p>UNLESS OTHERWISE SPECIFIED DIMENSIONS ARE IN INCHES</p>		<p>CONTRACT NO.</p>	
<p>FRACTIONS ± 1/32</p>	<p>DECIMALS .XX ± .01 .XXX ± .005</p>	<p>APPROVALS</p>	<p>DATE</p>
<p>SURFACE ROUGHNESS: 125</p>		<p>DRAWN BY D. COLLINS</p>	<p>07/08/02</p>
<p>MATERIAL:</p>		<p>CHECKED</p>	<p>TITLE</p>
<p>FINISH:</p>		<p>ENGR. B. SMITH</p>	<p>07/08/02</p>
<p>SCALE</p>		<p>PROJ. ENGR. D. COLLINS</p>	<p>07/08/02</p>
<p>DO NOT SCALE DRAWING</p>		<p>QA</p>	<p>SIZE</p>
<p>SHEET 1 OF 1</p>		<p>M &amp; P</p>	<p>CAGE CODE</p>
<p>DWG. NO. L8795</p>		<p>SCALE NONE</p>	<p>REV. B</p>