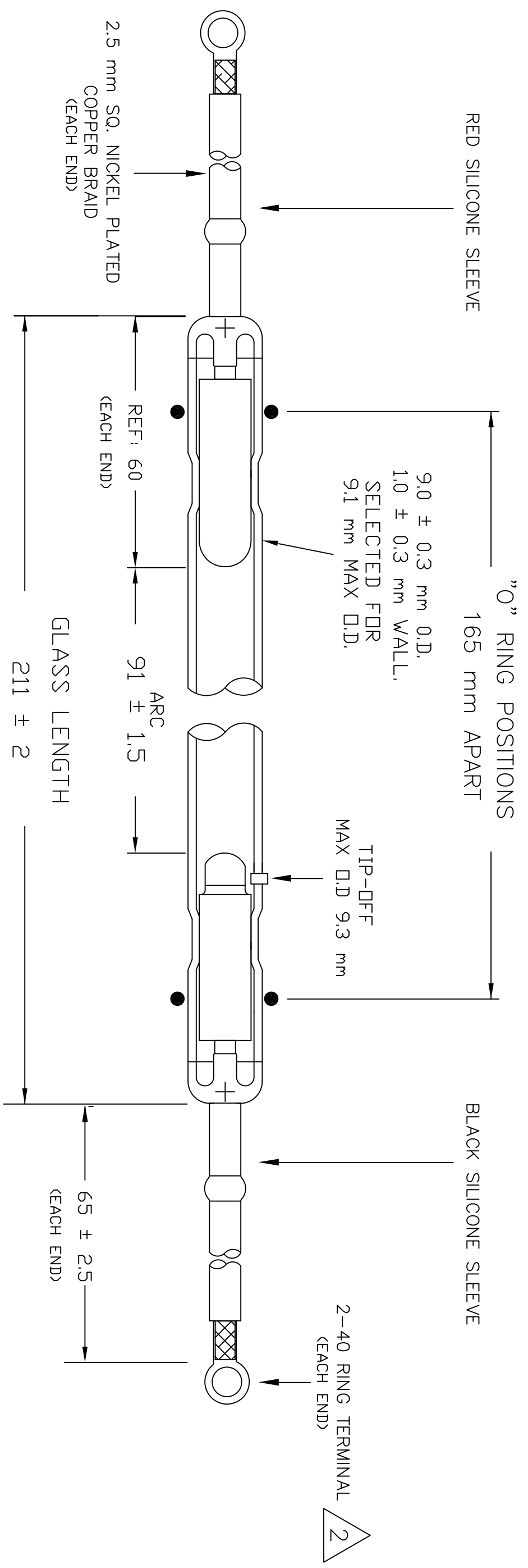


This document contains confidential and proprietary information of Excellitas Technologies. The contents shall not be disclosed, reproduced, duplicated, disseminated or used for purposes other than authorized in writing by Excellitas Technologies

REVISIONS				
ZONE	REV.	DESCRIPTION	DATE	APPROVED
	A	REL/ECN 172871	03/27/12	R. BOYLE
	B	REV/ECN 173261	09/19/12	R. BOYLE

- NOTES:
- LAMP FILL PRESSURE: 700 TORR XENON.
  - RING TERMINALS CRIMPED TO LEADWIRES.
  - ENVELOP MATERIAL: SYNTHETIC FUSED QUARTZ, 7.0mm NOMINAL BORE. OUTER DIAMETER SELECTED FOR 9.1mm MAX.

UNCONTROLLED COPY



ANODE END

CATHODE END

UNLESS OTHERWISE SPECIFIED DIMENSIONS ARE IN INCHES TOLERANCES ARE:		CONTRACT NO.		TITLE	
FRACTIONS ± 1/64	DECIMALS .XX ± .01	ANGLES ± 1°	APPROVALS	DATE	<b>EXCELLITAS TECHNOLOGIES</b> 44370 Christy Street Fremont, CA 94538
SURFACE ROUGHNESS: 125 ✓			DRAWN BY B. SIMPSON	05/16/96	
MATERIAL: SEE NOTE 3			CHECKED		
FINISH: M & P			ENGR. R. BOYLE	03/27/12	
			PROJ. ENGR. QA		
SIZE B		CAGE CODE 31573	DWG. NO. QXF390B		REV. B
SCALE NONE		DO NOT SCALE DRAWING		SHEET 2 OF 2	