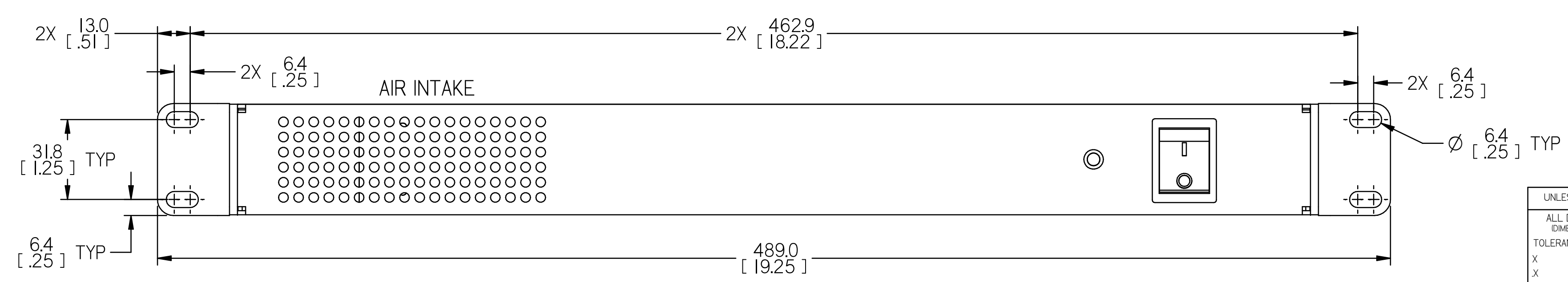
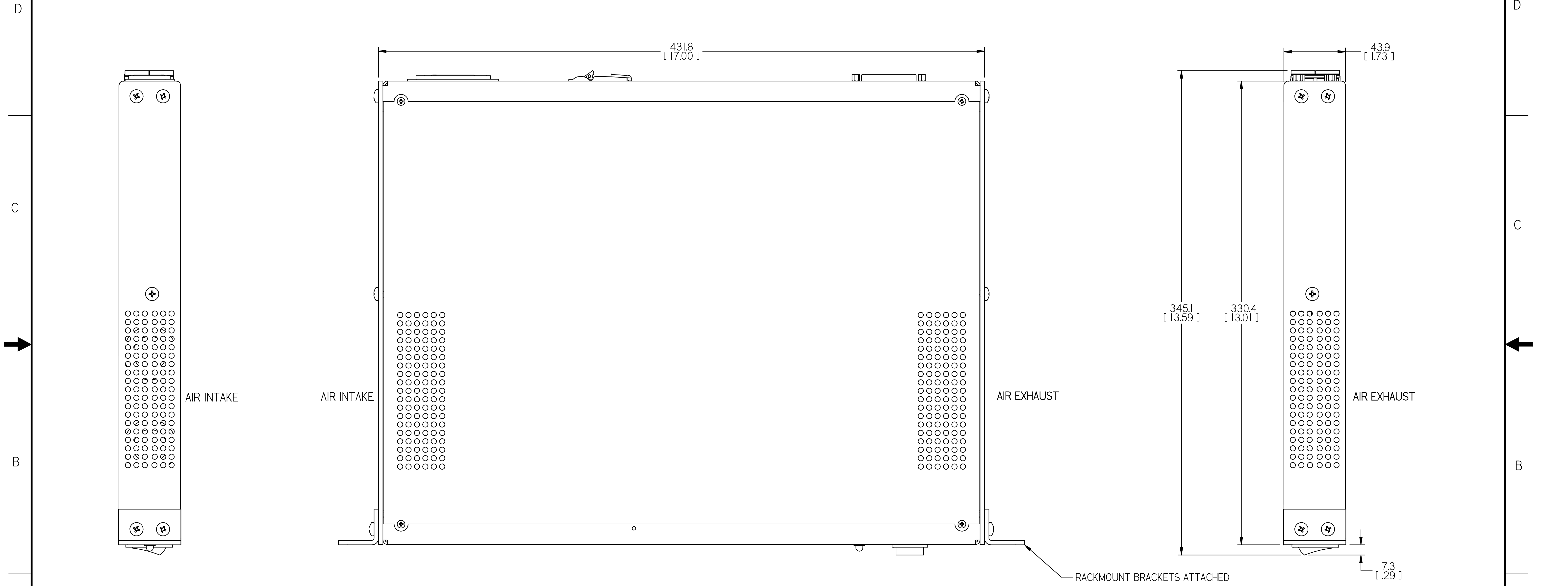
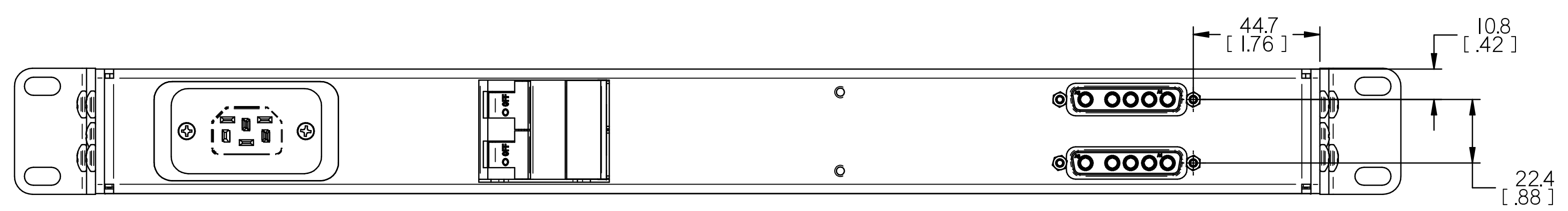


ALL RIGHTS STRICTLY RESERVED. REPRODUCTION OR ISSUE TO THIRD PARTIES IN ANY FORM WHATSOEVER IS NOT PERMITTED WITHOUT WRITTEN AUTHORITY FROM PROPRIETOR

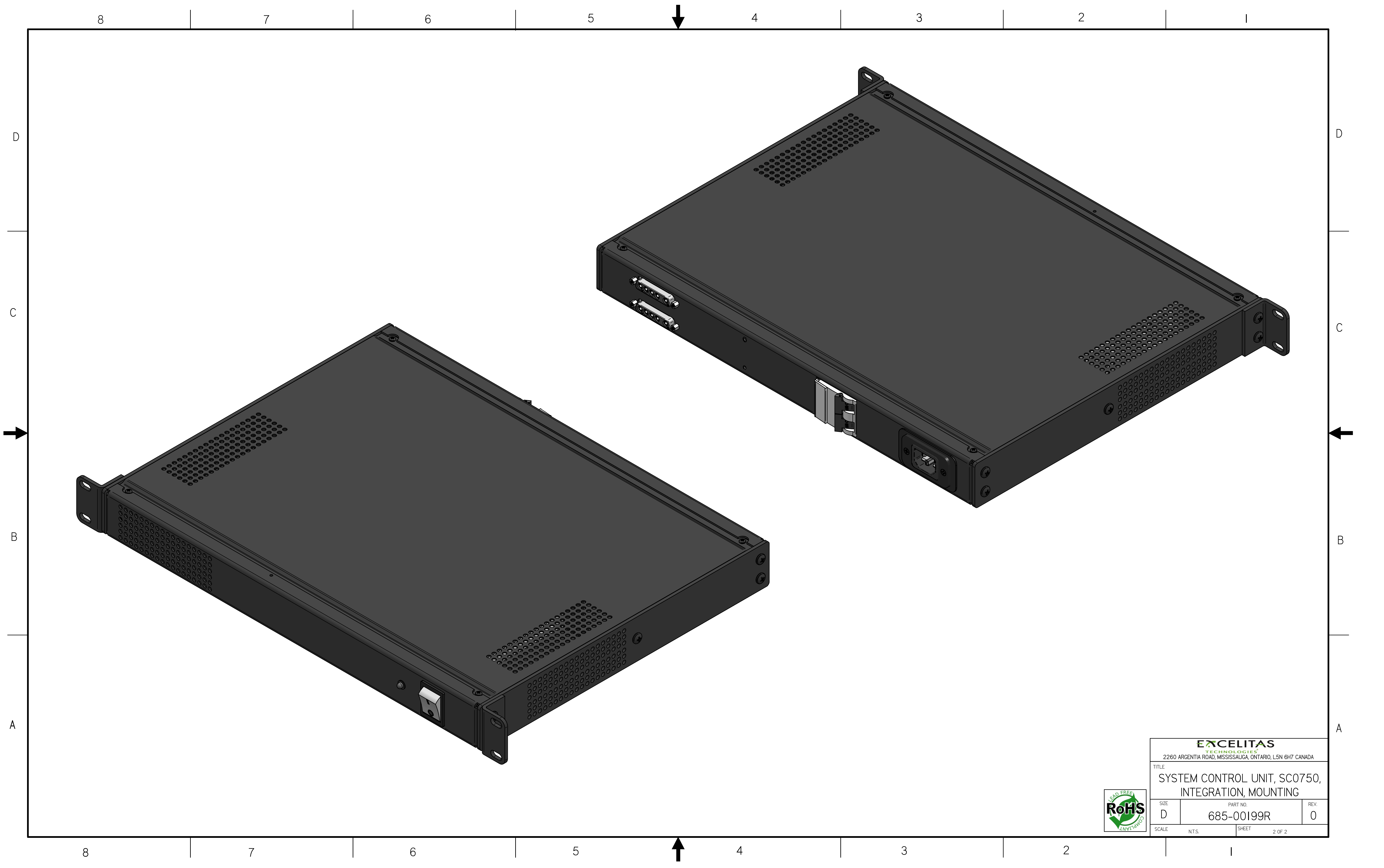
REV	DESCRIPTION	DATE
0	INITIAL RELEASE	02/23/2016



UNLESS OTHERWISE SPECIFIED		SIGNATURES	DATE
DRAWN		P. DRENNAN	02/23/2016
ENG.		P. DRENNAN	02/23/2016
CHECKED		P. CONSTANTINO	02/23/2016
APPR.		M. KAY	02/23/2016
TOLERANCES ON:			
X	± 1		
X	± 0.1		
XX	± 0.05		
ANGLES ± 5°		✓	
HOLE DIA. ± 0.05			
MATERIAL		N/A	
FINISH			

		2260 ARGENTIA ROAD, MISSISSAUGA, ONTARIO, L5N 6H7 CANADA	
		TITLE	
SYSTEM CONTROL UNIT, SC0750, INTEGRATION, MOUNTING		SIZE	PART NO.
D		685-00199R	
SCALE		NTS.	SHEET
		1 OF 1	





EXCELITAS TECHNOLOGIES 2260 ARGENTIA ROAD, MISSISSAUGA, ONTARIO, L5N 6H7 CANADA		
TITLE SYSTEM CONTROL UNIT, SC0750, INTEGRATION, MOUNTING		
SIZE D	PART NO. 685-00199R	REV. 0
SCALE NTS.	SHEET 2 OF 2	

