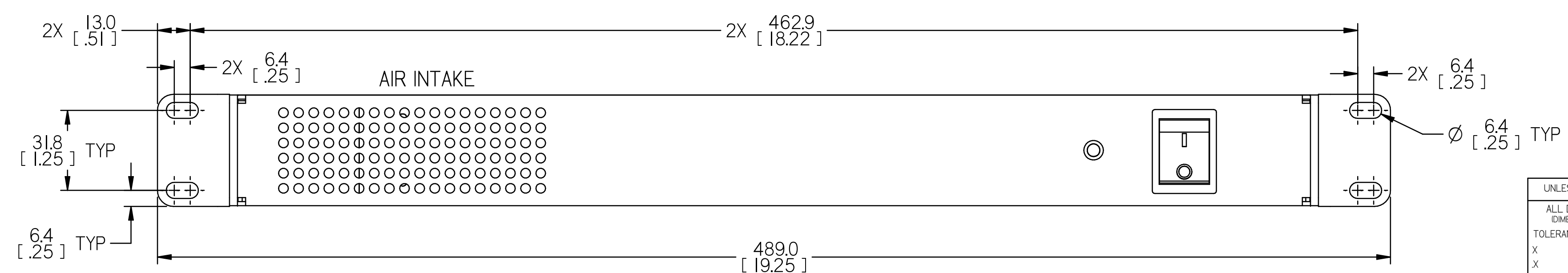
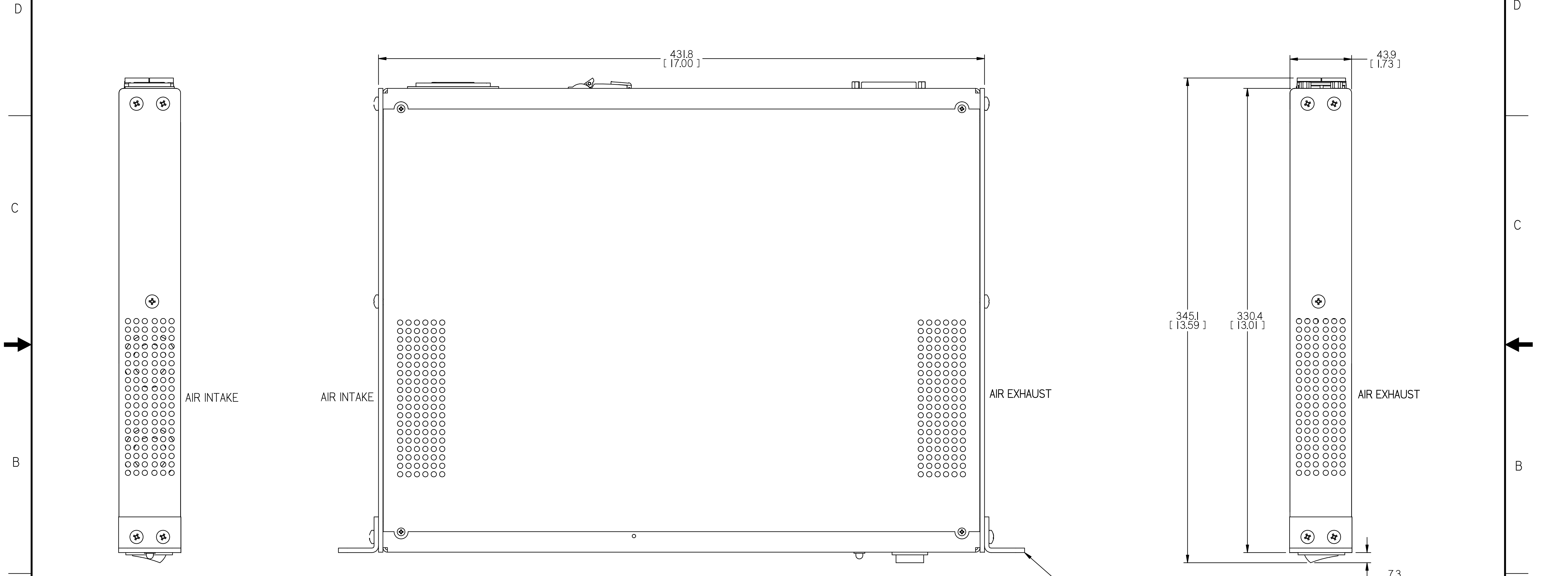
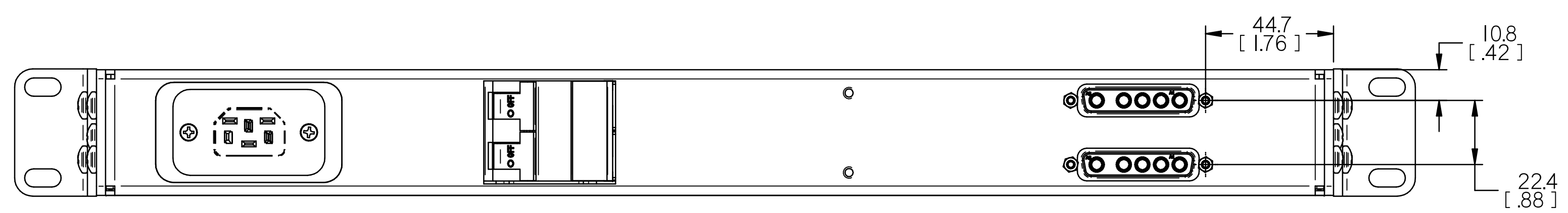


ALL RIGHTS STRICTLY RESERVED. REPRODUCTION OR ISSUE TO THIRD PARTIES IN ANY FORM WHATSOEVER IS NOT PERMITTED WITHOUT WRITTEN AUTHORITY FROM PROPRIETOR

REV	DESCRIPTION	DATE
0	INITIAL RELEASE	



UNLESS OTHERWISE SPECIFIED

ALL DIMENSIONS ARE IN mm.
(DIMENSIONS IN () ARE INCHES)

TOLERANCES ON:

X ± 1
X ± 0.1
XX ± 0.05

ANGLES ± 5° ✓
HOLE DIA. ± 0.05

SIGNATURES	DATE
DRAWN P. DRENNAN	02/23/2016
ENG. P. DRENNAN	02/23/2016
CHECKED P. CONSTANTINO	02/24/2016
APPR. M. KAY	02/24/2016

MATERIAL N/A
FINISH

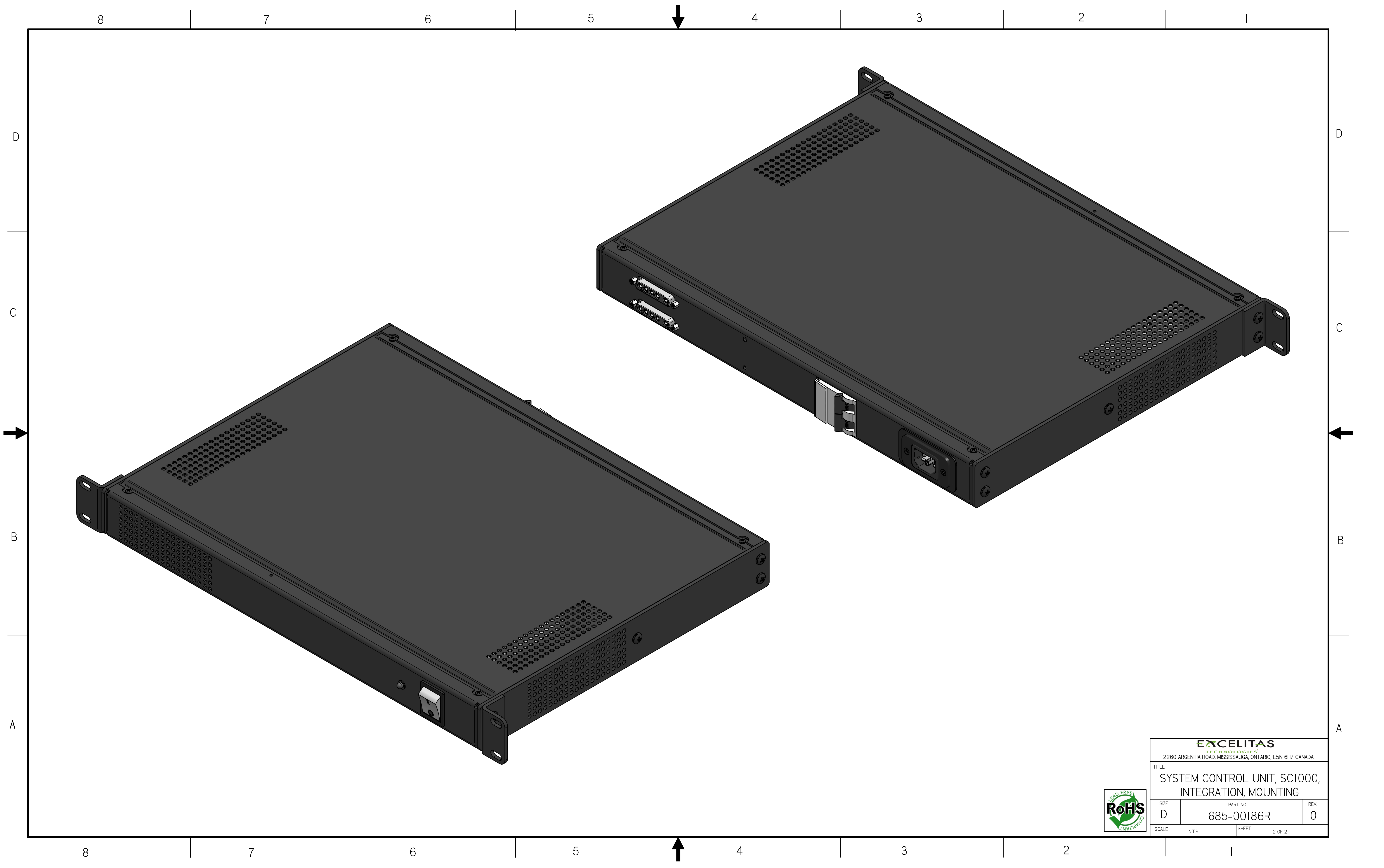
EXCELITAS TECHNOLOGIES
2260 ARGENTIA ROAD, MISSISSAUGA, ONTARIO, L5N 6H7 CANADA

TITLE
**SYSTEM CONTROL UNIT, SC1000,
INTEGRATION, MOUNTING**

SIZE	PART NO.	REV.
D	685-00186R	0

SCALE N.T.S. SHEET 1 OF 1





EXCELITAS <small>TECHNOLOGIES</small> 2260 ARGENTIA ROAD, MISSISSAUGA, ONTARIO, L5N 6H7 CANADA		
TITLE SYSTEM CONTROL UNIT, SCI000, INTEGRATION, MOUNTING		
SIZE D	PART NO. 685-00186R	REV. 0
SCALE N.T.S.	SHEET 2 OF 2	

