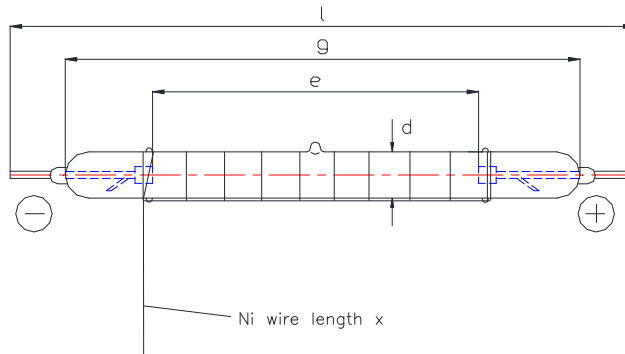


## SG 304

### Stroboscopic, Linear, 100 Watt, Quartz



#### Dimensional Specifications (mm)

Arc Length (e)	Glass Body Length (g)	Overall Length (l)	Glass Diameter (d)	Radius (r)	Pin Distance (a)	Trigger length (x)
100	130	160	80 dia	-	-	30

Notes: 1) Envelope material: Q1. 2) lamps are Rohs compliant

#### Operating Specifications:

Max. Power $P_{max}/W$	100	Trigger coil TR	ZS 1052
Nom. Power $P_{nom} / W$		Trigger capacitor $C_z/\mu F$	0.22
Max. flashenergy $E_{max}/Ws$		Min. trigger voltage $U_z \text{ min}/V$	250
Nom. flashenergy $E_{nom}/Ws$		Trigger contact S	SCR
Max. anode voltage $U_{amax}/V$	660	Flash frequency/Hz	5 - 100
Nom. anode voltage $U_{anom}/V$	600	Life/Number of flashes/N	250 hrs
Min. anode voltage $U_{amin}/V$	400	Repetition rate $t_{rep}/s$	0.01
Nom. flash capacitor $C_B/\mu F$	5.5	Sec trigger voltage $U_z \text{ sec} / KV$	-ve
Light reduction after life/ %		Unloaded	

For a complete listing of our global offices, visit [www.excelitas.com/locations](http://www.excelitas.com/locations)

© 2021 Excelitas Technologies Corp. All rights reserved. The Excelitas logo and design are registered trademarks of Excelitas Technologies Corp. All other trademarks not owned by Excelitas Technologies or its subsidiaries that are depicted herein are the property of their respective owners. Excelitas reserves the right to change this document at any time without notice and disclaims liability for editorial, pictorial or typographical errors.