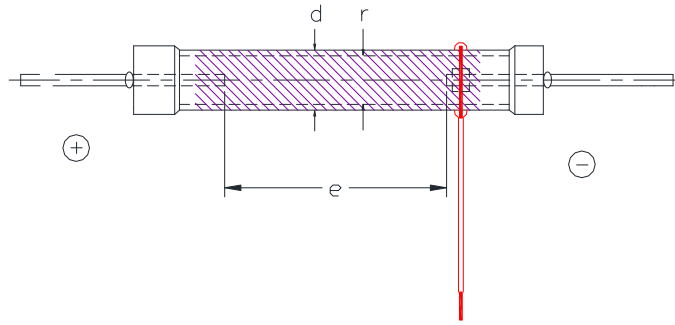


BGGP 7440
IPL, Linear, 60 Ws, Borosilicate



Dimensional Specifications (mm)

Arc Length (e)	Glass Body Length (g)	Overall Length (l)	Glass Outer Diameter (d)	Glass Inner Diameter (r)	Pin Distance (a)	Trigger length (x)
40	-	-	4.55 dia	3 dia	-	-

Notes: 1) Envelope material: B1. 2) lamps are Rohs compliant. 3) With conductive layer

Operating Specifications:

Max. Power P_{max}/W		Trigger coil TR	ZS 1052
Nom. Power P_{nom} / W		Trigger capacitor $C_z/\mu F$	0.22
Max. flashenergy E_{max}/Ws	60	Min. trigger voltage $U_z \text{ min}/V$	250
Nom. flashenergy E_{nom}/Ws		Trigger contact S	SCR
Max. anode voltage U_{amax}/V	400	Flash frequency/Hz	
Nom. anode voltage U_{anom}/V		Life/Number of flashes/N	50 000
Min. anode voltage U_{amin}/V	300	Repetition rate t_{rep}/s	3
Nom. flash capacitor $C_B/\mu F$		Sec trigger voltage $U_z \text{ sec} / KV$	-ve
Light reduction after life/ %		Unloaded	

For a complete listing of our global offices, visit www.excelitas.com/locations

© 2021 Excelitas Technologies Corp. All rights reserved. The Excelitas logo and design are registered trademarks of Excelitas Technologies Corp. All other trademarks not owned by Excelitas Technologies or its subsidiaries that are depicted herein are the property of their respective owners. Excelitas reserves the right to change this document at any time without notice and disclaims liability for editorial, pictorial or typographical errors.